

Industrial Open Face, Kit Form Spray Booths



Truflow range of Dry Filter Spray Booths are modular and designed to be easily installed or re-located. These booths are simple yet durable in construction and they ensure that fumes and overspray are contained within the area, filter and exhausted – Keeping your workshop safe and clean.

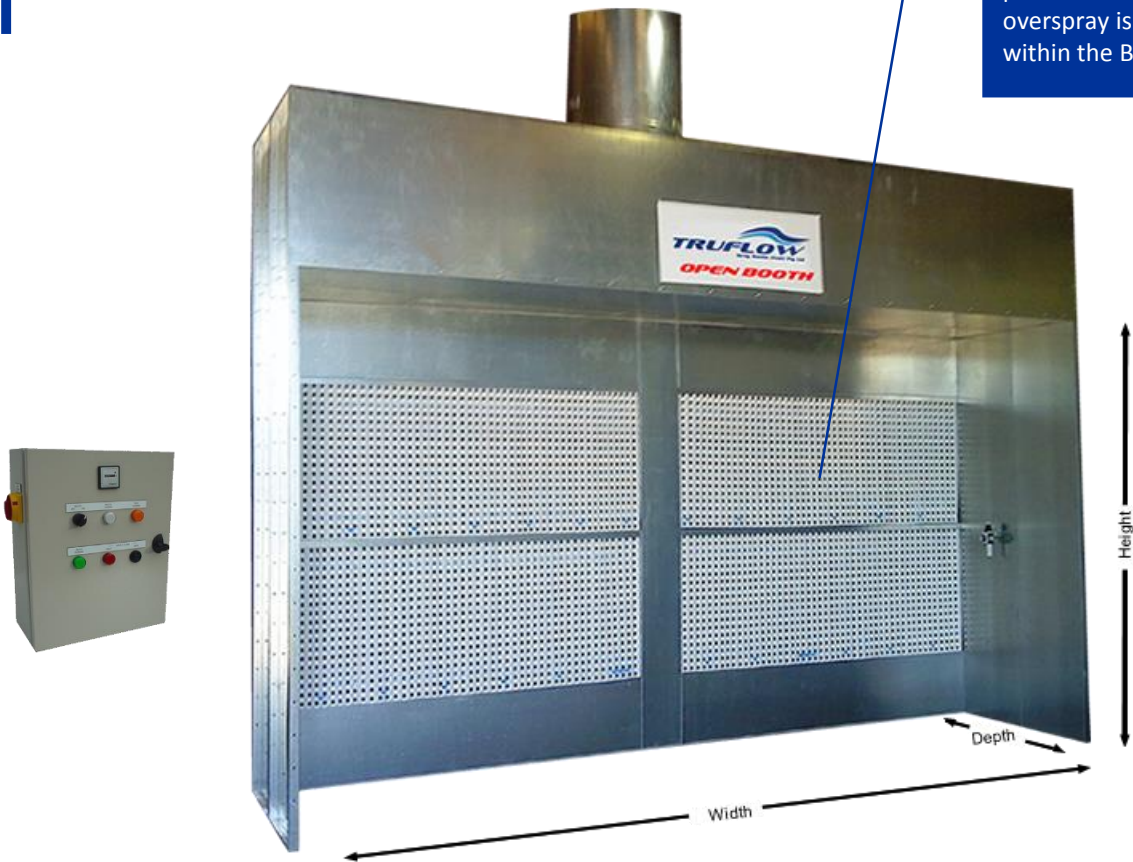
- ✓ Self-Assembly Spray Booth Kits
- ✓ Modular and Expandable Design
- ✓ Compliant to Australian National Standards
- ✓ Easy to Install



Dry filter Spray Booths

Open Dry Filter Booths
 Air is filtered through paint & particulate stopper filters. These capture overspray prior to venting outside. All overspray is contained within the Booth

Specifications:

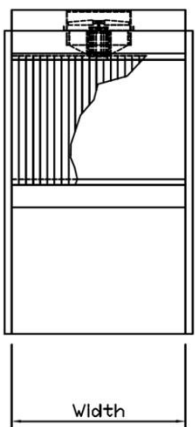


STANDARD DRY FILTER SPRAYBOOTHS (@ 0.5 M/SEC)							
7ft.	MODEL	INSIDE (WORK AREA)			EXHAUST FAN		
		WIDTH	HEIGHT	DEPTH	FLUE DIA	Kw	V/SEC
INSIDE HEIGHT	DB47	1220	2135	1220	18"	0.55	1302
	DB67	1830	2135	1220	21"	0.75	1954
	DB87	2440	2135	1220	24"	0.75	2605
	DB107	3050	2135	1220	28"	1.1	3256
	DB127	3660	2135	1220	28"	1.1	3907
	DB147	4270	2135	1220	30"	2.2	4558
	DB167	4880	2135	1220	30"	2.2	5209
8ft.	DB48	1220	2440	1220	21"	0.75	1488
INSIDE HEIGHT	DB68	1830	2440	1220	21"	0.75	2233
	DB88	2440	2440	1220	28"	1.1	2977
	DB108	3050	2440	1220	28"	1.1	3721
	DB128	3660	2440	1220	30"	2.2	4465
	DB148	4270	2440	1220	30"	2.2	5209
	DB168	4880	2440	1220	32"	3.0	5954
9ft.	DB49	1220	2740	1220	21"	0.75	1671
INSIDE HEIGHT	DB69	1830	2740	1220	21"	0.75	2507
	DB89	2440	2740	1220	28"	1.1	3343
	DB109	3050	2740	1220	28"	1.1	4179
	DB129	3660	2740	1220	30"	2.2	5014
	DB149	4270	2740	1220	32"	3.0	5850
	DB169	4880	2740	1220	32"	3.0	6686

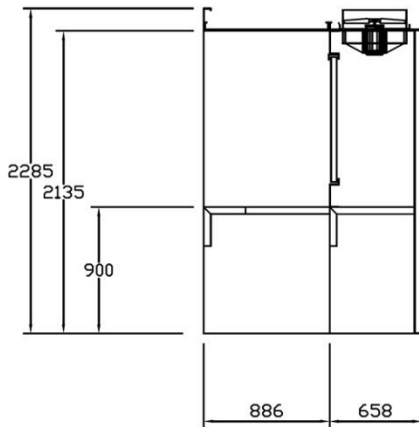
Bench Type Dry Booths

Specifications:

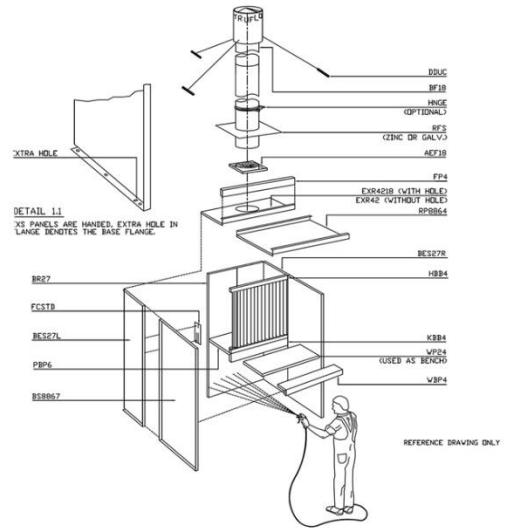
Bench Type Booth
An ideal solution for small parts spray painting and also for schools or universities that require a compliant area for minor spray painting.



FRONT ELEVATION



SIDE ELEVATION-CROSS SECTION



BENCHTOP DRY FILTER SPRAYBOOTHS (supplied in kit form)

	MODEL	INSIDE (WORK AREA)			EXHAUST FAN		
		WIDTH	HEIGHT	DEPTH	FLUE DIA	Kw	l/SEC
7ft HIGH	BTDB47	1220	2135	885	18"	0.37	753
	BTDB67	1830	2135	885	18"	0.55	1129
	BTDB87	2440	2135	885	18"	0.55	1505

Single Doors

Personal access doors are required in all enclosed booths and open faced booths over 6 meters in depth.

Doors can be manufactured left or right hand opening complete with viewing windows for safety.

RHS frames for strength.

Standard Safety Yellow Finish



Double Doors

- Doors may be incorporated into the side or front of the booth depending on the inlet air and product access.

- Doors are fully sealed against a rubber pinch mold with a door brush fitted along the bottom edge.

- A full range of sizes are available to compliment the 'Modular' Kit form Spray Booths.



Lights & Panels

- Cabins can be extended in 610mm Cabin Sections.

- Wall Panels and Roof Panels can be added to any spray booth model to expand the work area.

- Lighting in either; Rear Access, 45 Degree Ventilated, or Ex Protected can be fitted to any booth.



Paint Storage

For compliant Hazardous Areas Storage it is recommended that one of the "PS" Paint Storage Series of products be used.

Bunded and fully compliant for the storage of paints and solvents up to their nominated capacity.

Three standard sizes in stock:

- PS240 – 240 Lt Storage Capacity.
- PS180– 180 Lt Storage Capacity.
- PS90 – 90 Lt Storage Capacity.



Safety Control Boards

Control boxes are installed to a Spray Booth for safety reasons; they perform the following Safety functions:

Interlocking the compressed air line to stop the operator/painter from spraying any product inside of the booth until such time that the air flow is high enough for any waste product to be removed from the workspace.

Timers incorporated into the control panel will not allow the booth to be shut off until the exhaust fans have removed any over-spray and fumes that are still resident within the booth.

All electrical supplies to the booth are also switched on & off via the control panel.



Filtration Media

- Meets and Exceeds Australian Requirements.
- Paint Stop designed for overspray particulates
- Available in CC900 Filter & CC1000 Filter
- High Efficiency filters available in HE+ which Contains an secondary scrim filter backing to capture additional particulates.

